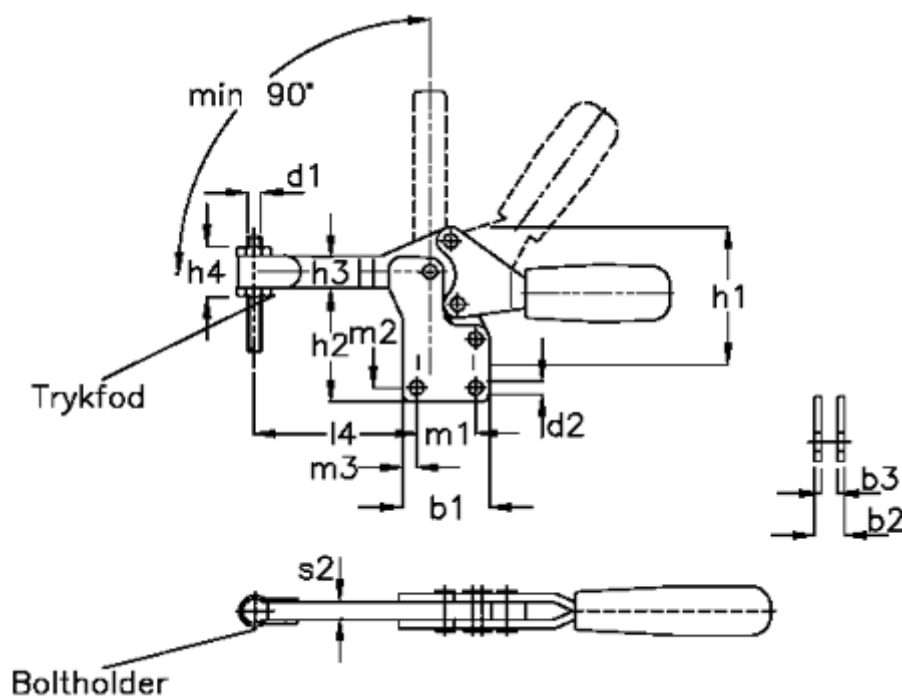


Article number: 201356121

Description: E+G Klee vertical clamp
GN 820.1-455-P solid clamping arm

Measures



b1 = 70	Holding force N = 6200	Size = 400
b2 = 18	l1 = 309	
b3 = 10	l2 = 184	
d1 = M12	m1 = 41.5	
d2 = 8.5	m2 = 11.8	
h1 = 119.0	m3 = 14.2	
h2 = 80.5	r = 126.0	
h3 = 26	s = 10	